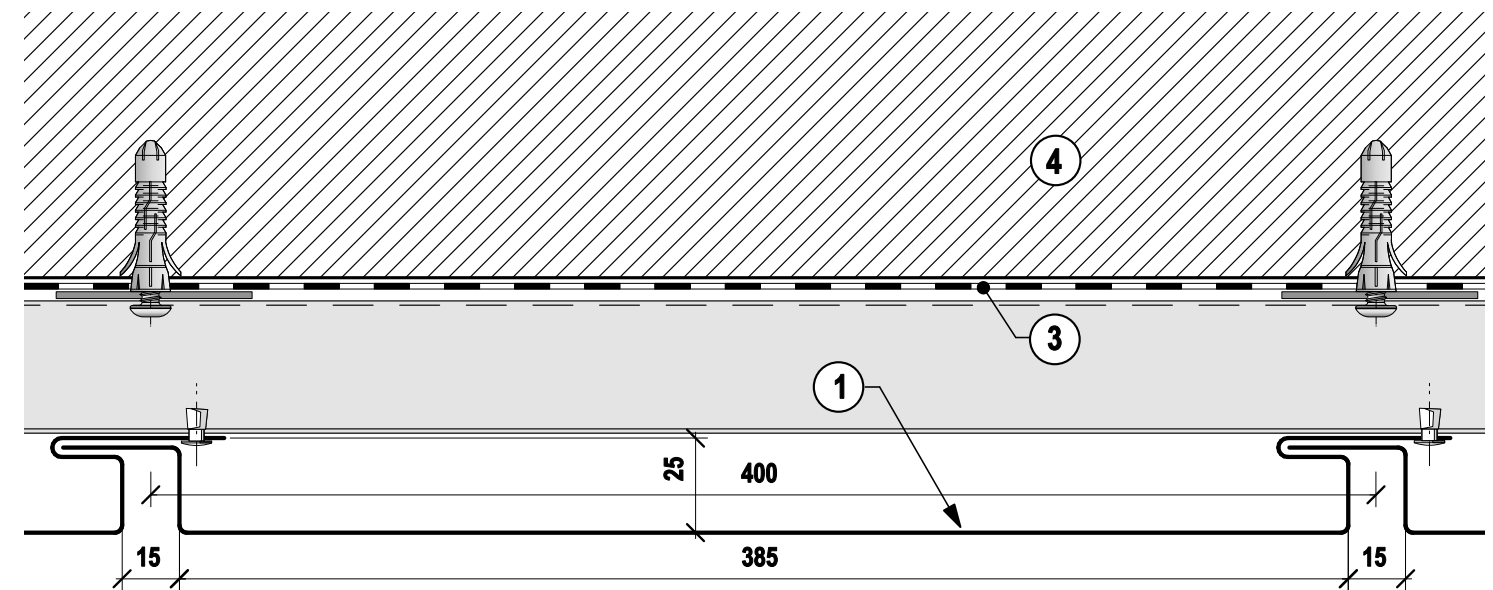
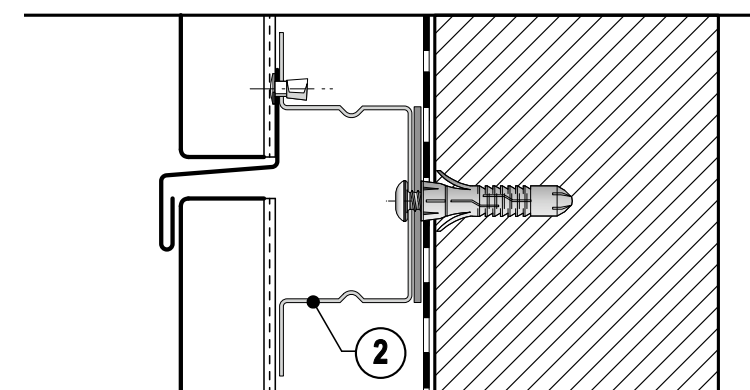


V25 INTERLOCKING PANELS SYSTEM OVERVIEW



TYPICAL HORIZONTAL SECTION



TYPICAL VERTICAL SECTION

- ① V25 PANELS
- ② 35mm TOPHAT SUBSTRUCTURE
- ③ SARKING
- ④ EXISTING WALL STRUCTURE

ARC Architectural
Roofing and Wall
Cladding Pty Ltd

Unit 6, 39 King Road Hornsby NSW 2077
Ph: (02) 9482 4461 Fax: (02) 9482 4177

DRAWING TITLE:
SYSTEM OVERVIEW

DRAWING REFERENCE:
WALL CLADDING

CAD FILE NAME:
V25CassettePanels.PDF

CLADDING SYSTEM:
V25 INTERLOCKING PANELS

SCALE:
1:2

SIZE:
A3

NOTES:
ALL DETAILS ARE TO BE VERIFIED ON SITE AND ARE SUBJECT TO SITE CONDITIONS. THESE DETAILS INDICATE THE GENERAL PRINCIPLE OF THE CLADDING SYSTEM AND MAY VARY SLIGHTLY TO THE COMMENCEMENT OF WORK. DETAILS THAT VARY FROM THIS DESIGN, OR ARE IN QUESTION, ARE TO BE APPROVED BY THE BUILDER / ARCHITECT PRIOR TO THE COMMENCEMENT OF WORK. CONFIRM ALL RELEVANT DIMENSIONS.